



CATALOGUE
2023 - 2024

**SAFETY
MEIN
SAMJHOTA
NAHIN.**



DIRECTOR'S NOTE

1978 - The year when Precision Pipes was incorporated with a mission and vision to be the lifeline of every building and bring every home to life.

Cut to the present day where, as our tagline would have it, Precision Pipes has become the 'Desh ki lifeline'.

Our journey so far has been all about innovation, understanding the need of the hour and promptly acting upon it, and changing the overall consumer perception about the category with our wide range of products.

We started off with a range of electrical piping systems including Round Conduit uPVC Pipes, G.I. & M.S. Conduit Pipes, uPVC Mini /Maxi Trunking Profile, uPVC Panel Trunking, Corrugated Flexible Conduit Pipes and Fittings.

We've also diversified our offerings so as to cater to a wider audience looking for plumbing piping systems, with our CPVC, ASTM (uPVC), Sewerage Waste and Rainwater (SWR), Agriculture uPVC Pipes and Fittings.

To be the 'Desh ki lifeline', it was imperative for us to be connected with the country right from the grassroot level. So we built large scale manufacturing locations at Daman, Bengaluru, & Haridwar.

We've also built a strong distribution network that adheres to national and international standards recognized by leading consultants, architects, construction industries, government departments, defense, railways and automobile industries.

Also, all our products comply with major national and international standards like the ISO 9001: 2015, IS (Indian Standard), BS (British Standard) and CE for Low Voltage Directive.

This has ensured that consumers can buy our products through a dedicated sales network in India as well as in Europe, Middle East, Africa etc.

Last but not least, we've come a long way in our journey so far, but we at Precision Pipes continue to innovate every single day to keep on being 'Saare desh ki lifeline'.

Kunal S. Kadakia

INDEX

ROUND CONDUIT uPVC PIPES & FITTINGS	02
ALL WEATHER BOXES	15
G.I & M.S.CONDUIT PIPES & FITTINGS	19
uPVC MINI/MAXI TRUNKING PROFILE & FITTINGS	24
METALLIC CABLE MANAGEMENT SYSTEM	30
uPVC PANEL TRUNKING	38
CORRUGATED FLEXIBLE CONDUIT PIPES & FITTINGS	43
TECHNICAL DATA	47



PRECISION[®]

Pipes | Desh ki Lifeline





ROUND CONDUIT uPVC PIPES & FITTINGS

Precision Round Conduit uPVC Pipes & Fittings are manufactured from a specially formulated unplasticated polyvinyl chloride (uPVC) to meet the most stringent Indian and international standards. Our products are made of extra super high impact material which make them safe to use in harsh environments. The products are manufactured in accordance with IS 9537 - Part 3, BS EN 61386-21 for uPVC conduits, IS 3419:1988 and BS 4067 for uPVC fittings.



1ST TIME IN INDIA!

Our premium range of
TRANSPARENT ROUND CONDUIT uPVC PIPES & FITTINGS
are also available in red, green & yellow on request.





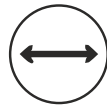
Applications

Channelising concealed and surface wiring.
Telecommunication and cable ducting.

DIMENSIONS OF ROUND CONDUIT uPVC PIPES IS 9537 - PART 3

Nominal Size (mm)	Outside Diameter (mm)	Tolerance on Outside Diameter (mm)	Inside Diameter (Min.) (mm)		
			Light	Medium	Heavy
20	20	-0.3	17.4	16.9	15.8
25	25	-0.4	22.1	21.4	20.6
32	32	-0.4	28.6	27.8	26.6
40	40	-0.4	35.8	35.4	34.4
50	50	-0.5	45.1	44.3	43.2
63	63	-0.6	57.0	-	-
#SPECIAL SIZES					
19	19	-0.3	16.5	16.0	15.1

Features



Various Diameters & Grades



Fire retardant & corrosion free



Easy and quick installation



Thermal resistant
(-5° C to +60° C)

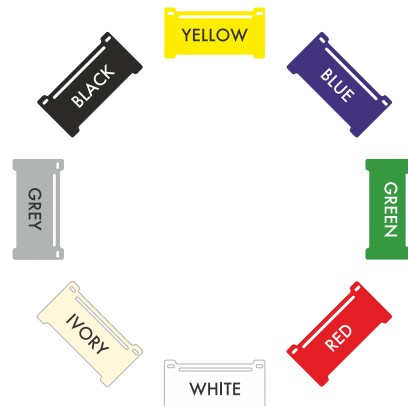


Durable & Impact resistant



Laser Engraved Pipe

- Light, medium and heavy mechanical stress, to suit various applications and site conditions
- Wide range of component maximises application
- Precision circular boxes and adaptable boxes are provided with M4 brass insert with a load suspension capacity of 3 Kgs at +60° C



ROUND CONDUIT uPVC PIPES (SOCKETED)

HSN : 39172310



≈ FRLS CE ☽ U.V.S.

SR. NO.	PRODUCT CODE	SIZE	STANDARD PACK		NORTH INDIA PACK
		OD (mm)	Pc. x Mtr.	Mtr. / Bdl.	Mtr. / Bdl.
LMS (LIGHT MECHANICAL STRESS)					
# 1	PRCS 19L	19	100 x 3m	300	-
# 2	PRCS 19LNI	19	40 x 3m	-	120
3	PRCS 20L	20	100 x 3m	300	-
4	PRCS 20LNI	20	40 x 3m	-	120
5	PRCS 25L	25	100 x 3m	300	-
6	PRCS 25LNI	25	25 x 3m	-	75
7	PRCS 32L	32	50 x 3m	150	-
8	PRCS 32LNI	32	10 x 3m	-	30
9	PRCS 40L	40	25 x 3m	75	-
10	PRCS 40LNI	40	5 x 3m	-	15
11	PRCS 50L	50	20 x 3m	60	-
12	PRCS 50LNI	50	5 x 3m	-	15
13	PRCS 63L	63	18 x 3m	54	-

SR. NO.	PRODUCT CODE	SIZE	STANDARD PACK		NORTH INDIA PACK
		OD (mm)	Pc. x Mtr.	Mtr. / Bdl.	Mtr. / Bdl.
LMS (LIGHT MECHANICAL STRESS) ≈ FRLS ☽ UVS CE 					
# 38	PFRL 19LS	19	100 x 3m	300	-
# 39	PFRL 19LSNI	19	40 x 3m	-	120
40	PFRL 20LS	20	100 x 3m	300	-
41	PFRL 20LSNI	20	40 x 3m	-	120
42	PFRL 25LS	25	100 x 3m	300	-
43	PFRL 25LSNI	25	25 x 3m	-	75
44	PFRL 32LS	32	50 x 3m	150	-
45	PFRL 32LSNI	32	10 x 3m	-	30
46	PFRL 40LS	40	25 x 3m	75	-
47	PFRL 40LSNI	40	5 x 3m	-	15
48	PFRL 50LS	50	20 x 3m	60	-
49	PFRL 50LSNI	50	5 x 3m	-	15
50	PFRL 63LS	63	18 x 3m	54	-

SR. NO.	PRODUCT CODE	SIZE	STANDARD PACK		NORTH INDIA PACK
		OD (mm)	Pc. x Mtr.	Mtr. / Bdl.	Mtr. / Bdl.
MMS (MEDIUM MECHANICAL STRESS)					
# 14	PRCS 19M	19	100 x 3m	300	-
# 15	PRCS 19MNI	19	40 x 3m	-	120
16	PRCS 20M	20	100 x 3m	300	-
17	PRCS 20MNI	20	40 x 3m	-	120
18	PRCS 25M	25	100 x 3m	300	-
19	PRCS 25MNI	25	25 x 3m	-	75
20	PRCS 32M	32	50 x 3m	150	-
21	PRCS 32MNI	32	10 x 3m	-	30
22	PRCS 40M	40	25 x 3m	75	-
23	PRCS 40MNI	40	5 x 3m	-	15
24	PRCS 50M	50	20 x 3m	60	-
25	PRCS 50MNI	50	5 x 3m	-	15

SR. NO.	PRODUCT CODE	SIZE	STANDARD PACK		NORTH INDIA PACK
		OD (mm)	Pc. x Mtr.	Mtr. / Bdl.	Mtr. / Bdl.
MMS (MEDIUM MECHANICAL STRESS) ≈ FRLS ☽ UVS CE 					
# 51	PFRL 19MS	19	100 x 3m	300	-
# 52	PFRL 19MSNI	19	40 x 3m	-	120
53	PFRL 20MS	20	100 x 3m	300	-
54	PFRL 20MSNI	20	40 x 3m	-	120
55	PFRL 25MS	25	100 x 3m	300	-
56	PFRL 25MSNI	25	25 x 3m	-	75
57	PFRL 32MS	32	50 x 3m	150	-
58	PFRL 32 MSNI	32	10 x 3m	-	30
59	PFRL 40MS	40	25 x 3m	75	-
60	PFRL 40MSNI	40	5 x 3m	-	15
61	PFRL 50MS	50	20 x 3m	60	-
62	PFRL 50MSNI	50	5 x 3m	-	15

SR. NO.	PRODUCT CODE	SIZE	STANDARD PACK		NORTH INDIA PACK
		OD (mm)	Pc. x Mtr.	Mtr. / Bdl.	Mtr. / Bdl.
HMS (HEAVY MECHANICAL STRESS)					
# 26	PRCS 19H	19	100 x 3m	300	-
# 27	PRCS 19HNI	19	40 x 3m	-	120
28	PRCS 20H	20	100 x 3m	300	-
29	PRCS 20HNI	20	40 x 3m	-	120
30	PRCS 25H	25	50 x 3m	150	-
31	PRCS 25HNI	25	25 x 3m	-	75
32	PRCS 32H	32	50 x 3m	150	-
33	PRCS 32HNI	32	10 x 3m	-	30
34	PRCS 40H	40	25 x 3m	75	-
35	PRCS 40HNI	40	5 x 3m	-	15
36	PRCS 50H	50	20 x 3m	60	-
37	PRCS 50HNI	50	5 x 3m	-	15

SR. NO.	PRODUCT CODE	SIZE	STANDARD PACK		NORTH INDIA PACK
		OD (mm)	Pc. x Mtr.	Mtr. / Bdl.	Mtr. / Bdl.
HMS (HEAVY MECHANICAL STRESS) ≈ FRLS ☽ UVS CE 					
# 63	PFRL 19HS	19	100 x 3m	300	-
# 64	PFRL 19HSNI	19	40 x 3m	-	120
65	PFRL 20HS	20	100 x 3m	300	-
66	PFRL 20HSNI	20	40 x 3m	-	120
67	PFRL 25HS	25	50 x 3m	150	-
68	PFRL 25HSNI	25	25 x 3m	-	75
69	PFRL 32HS	32	50 x 3m	150	-
70	PFRL 32HSNI	32	10 x 3m	-	30
71	PFRL 40HS	40	25 x 3m	75	-
72	PFRL 40HSNI	40	5 x 3m	-	15
73	PFRL 50HS	50	20 x 3m	60	-
74	PFRL 50HSNI	50	5 x 3m	-	15

#Special Size

≈ FRLS: Fire Retardant - Low Smoke
☽ UVS: Ultra Violet Stabilised
 Lead Free for Green Environment

ROUND CONDUIT uPVC PIPES

(SOCKETED) FRLS

HSN : 39172310

SPECIAL SIZES



#	SR. NO.	PRODUCT CODE	SIZE OD (mm)	STANDARD PACK	
				Pc. x Mtr.	Mtr. / Bdl.
#	75	PRCS 19SPL	19 x 1mm	100 x 3m	300
#	76	PRCS 20SPL	20 x 1mm	100 x 3m	300
#	77	PRCS 25SPL	25 x 1mm	100 x 3m	300

Special Size

ROUND CONDUIT uPVC PIPE FITTINGS

HSN : 73201019



BENDING SPRING



SR. NO.	PRODUCT CODE	SIZE OD (mm)	COLOUR	STANDARD PACK	
				Pc./Bag	Pc./Carton
LIGHT GAUGE					
78	PBS20L	20	Black	10	50
79	PBS25L	25	Black	5	25
MEDIUM GAUGE					
80	PBS20M	20	Silver	10	50
81	PBS25M	25	Silver	5	25
HEAVY GAUGE					
82	PBS20H	20	Gold	10	50
83	PBS25H	25	Gold	5	25

⊗ Suitable for 19mm LMS and 19mm MMS conduits also.

IS:3419



1988

ROUND CONDUIT uPVC PIPE FITTINGS

HSN : 39174000



CIRCULAR BOX WITHOUT LID

CIRCULAR BOX



SR. NO.	PRODUCT CODE	SIZE OD (mm)	STANDARD PACK	
			Pc./Box	Pc./Carton
84	PRCB 191	19	20	600
85	PRCB 201	20	20	600
86	PRCB 251	25	15	450
87	PRCB 321	32	10	160
88	PRCB 401	40	10	160
89	PRCB 501	50	5	80

TERMINAL - 1 WAY

CIRCULAR BOX



SR. NO.	PRODUCT CODE	SIZE OD (mm)	STANDARD PACK	
			Pc./Box	Pc./Carton
96	PRCB 192S	19	20	400
97	PRCB 202S	20	20	400
98	PRCB 252S	25	15	300
99	PRCB 322S	32	10	160
100	PRCB 402S	40	10	160
101	PRCB 502S	50	5	80

THROUGH - 2 WAY

CIRCULAR BOX



SR. NO.	PRODUCT CODE	SIZE OD (mm)	STANDARD PACK	
			Pc./Box	Pc./Carton
90	PRCB 192A	19	20	400
91	PRCB 202A	20	20	400
92	PRCB 252A	25	15	300
93	PRCB 322A	32	10	160
94	PRCB 402A	40	10	160
95	PRCB 502A	50	5	80

ANGLE - 2 WAY

CIRCULAR BOX



SR. NO.	PRODUCT CODE	SIZE OD (mm)	STANDARD PACK	
			Pc./Box	Pc./Carton
102	PRCB 193	19	20	400
103	PRCB 203	20	20	400
104	PRCB 253	25	15	300
105	PRCB 323	32	10	160
106	PRCB 403	40	10	160
107	PRCB 503	50	5	80

TEE - 3 WAY

IS:3419



1988

ROUND CONDUIT uPVC PIPE FITTINGS

HSN : 39174000



CIRCULAR BOX WITHOUT LID

CIRCULAR BOX



SR. NO.	PRODUCT CODE	SIZE	STANDARD PACK	
		OD (mm)	Pc./Box	Pc./Carton
108	PRCB 194	19	20	400
109	PRCB 204	20	20	400
110	PRCB 254	25	15	240
111	PRCB 324	32	10	160
112	PRCB 404	40	10	160
113	PRCB 504	50	5	80

INTERSECTION - 4 WAY

DEEP CIRCULAR BOX



SR. NO.	PRODUCT CODE	SIZE	STANDARD PACK	
		OD (mm)	Pc./Box	Pc./Carton
114	PRCB 191D	19	10	280
115	PRCB 201D	20	10	280
116	PRCB 251D	25	10	280
117	PRCB 321D	32	10	280

TERMINAL - 1 WAY

DEEP CIRCULAR BOX



SR. NO.	PRODUCT CODE	SIZE	STANDARD PACK	
		OD (mm)	Pc./Box	Pc./Carton
118	PRCB 192AD	19	10	280
119	PRCB 202AD	20	10	280
120	PRCB 252AD	25	10	280
121	PRCB 322AD	32	10	280

ANGLE - 2 WAY

DEEP CIRCULAR BOX



SR. NO.	PRODUCT CODE	SIZE	STANDARD PACK	
		OD (mm)	Pc./Box	Pc./Carton
122	PRCB 192SD	19	10	200
123	PRCB 202SD	20	10	200
124	PRCB 252SD	25	10	200
125	PRCB 322SD	32	10	200

THROUGH - 2 WAY

DEEP CIRCULAR BOX



SR. NO.	PRODUCT CODE	SIZE	STANDARD PACK	
		OD (mm)	Pc./Box	Pc./Carton
126	PRCB 193D	19	10	220
127	PRCB 203D	20	10	220
128	PRCB 253D	25	10	220
129	PRCB 323D	32	10	160

TEE - 3 WAY

DEEP CIRCULAR BOX



SR. NO.	PRODUCT CODE	SIZE	STANDARD PACK	
		OD (mm)	Pc./Box	Pc./Carton
130	PRCB 194D	19	10	220
131	PRCB 204D	20	10	220
132	PRCB 254D	25	10	220
133	PRCB 324D	32	10	160

INTERSECTION - 4 WAY

CIRCULAR BOX



SR. NO.	PRODUCT CODE	SIZE	STANDARD PACK	
		OD (mm)	Pc./Box	Pc./Carton
134	PRCB 19U	19	20	400
135	PRCB 20U	20	20	400
136	PRCB 25U	25	20	400

BRANCH - 2 WAY (U)

CIRCULAR BOX



SR. NO.	PRODUCT CODE	SIZE	STANDARD PACK	
		OD (mm)	Pc./Box	Pc./Carton
137	PRCB 19Y	19	20	400
138	PRCB 20Y	20	20	400
139	PRCB 25Y	25	15	300

BRANCH - 3 WAY (Y)

IS:3419



1988

ROUND CONDUIT uPVC PIPE FITTINGS

HSN : 39174000

BLACK

GREY

IVORY

WHITE

CIRCULAR BOX WITHOUT LID



CIRCULAR BOX

SR. NO.	PRODUCT CODE	SIZE	STANDARD PACK	
		OD (mm)	Pc./Box	Pc./Carton
140	PRCB 19H	19	15	300
141	PRCB 20H	20	15	300
142	PRCB 25H	25	15	300

BRANCH - 4 WAY (H)



CIRCULAR BOX

SR. NO.	PRODUCT CODE	SIZE	STANDARD PACK	
		OD (mm)	Pc./Box	Pc./Carton
149	PRCB 203 BO	20	20	400
150	PRCB 253 BO	25	15	300

BACK OUTLET TEE - 3 WAY



CIRCULAR BOX

SR. NO.	PRODUCT CODE	SIZE	STANDARD PACK	
		OD (mm)	Pc./Box	Pc./Carton
143	PRCB 201 BO	20	20	400
144	PRCB 251 BO	25	15	300

BACK OUTLET - 1 WAY



CIRCULAR LID

SR. NO.	PRODUCT CODE	SIZE	STANDARD PACK	
		OD (mm)	Pc./Box	Pc./Carton
151	PRCL65	65	100	2000
152	PRCL80	80	100	2000
153	PRCL85	85	100	2000
154	PRCL90	90	100	1800
155	PRCL93	93	25	750
156	PRCL110	110	50	900

WITH SCREW



CIRCULAR BOX

SR. NO.	PRODUCT CODE	SIZE	STANDARD PACK	
		OD (mm)	Pc./Box	Pc./Carton
145	PRCB 202S BO	20	20	400
146	PRCB 252S BO	25	15	300

BACK OUTLET THROUGH - 2 WAY



CIRCULAR LID

SR. NO.	PRODUCT CODE	SIZE	STANDARD PACK	
		OD (mm)	Pc./Box	Pc./Carton
157	PRCL65WS	65	100	2000
158	PRCL80WS	80	100	2000
159	PRCL85WS	85	100	2000
160	PRCL90WS	90	100	1800
161	PRCL93WS	93	25	750
162	PRCL110WS	110	50	900

WITHOUT SCREW



CIRCULAR BOX

SR. NO.	PRODUCT CODE	SIZE	STANDARD PACK	
		OD (mm)	Pc./Box	Pc./Carton
147	PRCB 202A BO	20	20	400
148	PRCB 252A BO	25	15	300

BACK OUTLET ANGLE - 2 WAY

» 65 - For 19/20/25mm JB, DJB & 32 DJB

» 80 - For 32/40mm JB

» 93 - For 50mm JB



ROUND CONDUIT uPVC PIPE FITTINGS

HSN : 39174000



CIRCULAR BOX WITH LID & SCREW



CIRCULAR BOX

SR. NO.	PRODUCT CODE	SIZE	STANDARD PACK	
		OD (mm)	Pc./Box	Pc./Carton
163	PRCB 191L	19	20	600
164	PRCB 201L	20	20	600
165	PRCB 251L	25	15	450
166	PRCB 321L	32	10	160
167	PRCB 401L	40	10	160
168	PRCB 501L	50	5	80

TERMINAL - 1 WAY



CIRCULAR BOX

SR. NO.	PRODUCT CODE	SIZE	STANDARD PACK	
		OD (mm)	Pc./Box	Pc./Carton
179	PRCB 192SL	19	20	400
180	PRCB 202SL	20	20	400
181	PRCB 252SL	25	15	300
182	PRCB 322SL	32	10	160
183	PRCB 402SL	40	10	160
184	PRCB 502SL	50	5	80

THROUGH - 2 WAY



CIRCULAR BOX

SR. NO.	PRODUCT CODE	SIZE	STANDARD PACK	
		OD (mm)	Pc./Box	Pc./Carton
169	PRCB 201AL	20	20	360
170	PRCB 251AL	25	15	270

TERMINAL - 1 WAY (AUTO LID W/O SCREW)



CIRCULAR BOX

SR. NO.	PRODUCT CODE	SIZE	STANDARD PACK	
		OD (mm)	Pc./Box	Pc./Carton
185	PRCB 202SAL	20	15	270
186	PRCB 252SAL	25	10	180

THROUGH - 2 WAY (AUTO LID W/O SCREW)



CIRCULAR BOX

SR. NO.	PRODUCT CODE	SIZE	STANDARD PACK	
		OD (mm)	Pc./Box	Pc./Carton
171	PRCB 192AL	19	20	400
172	PRCB 202AL	20	20	400
173	PRCB 252AL	25	15	300
174	PRCB 322AL	32	10	160
175	PRCB 402AL	40	10	160
176	PRCB 502AL	50	5	80

ANGLE - 2 WAY



CIRCULAR BOX

SR. NO.	PRODUCT CODE	SIZE	STANDARD PACK	
		OD (mm)	Pc./Box	Pc./Carton
187	PRCB 193L	19	20	400
188	PRCB 203L	20	20	400
189	PRCB 253L	25	15	300
190	PRCB 323L	32	5	110
191	PRCB 403L	40	5	110
192	PRCB 503L	50	5	80

TEE - 3 WAY



CIRCULAR BOX

SR. NO.	PRODUCT CODE	SIZE	STANDARD PACK	
		OD (mm)	Pc./Box	Pc./Carton
177	PRCB 202AAL	20	15	270
178	PRCB 252AAL	25	10	180

ANGLE - 2 WAY (AUTO LID W/O SCREW)



CIRCULAR BOX

SR. NO.	PRODUCT CODE	SIZE	STANDARD PACK	
		OD (mm)	Pc./Box	Pc./Carton
193	PRCB 203AL	20	15	270
194	PRCB 253AL	25	10	180

TEE - 3 WAY (AUTO LID W/O SCREW)

ROUND CONDUIT uPVC PIPE FITTINGS

HSN: 39174000



CIRCULAR BOX WITH LID & SCREW



CIRCULAR BOX

SR. NO.	PRODUCT CODE	SIZE	STANDARD PACK	
		OD (mm)	Pc./Box	Pc./Carton
195	PRCB 194L	19	20	320
196	PRCB 204L	20	20	320
197	PRCB 254L	25	15	240
198	PRCB 324L	32	5	110
199	PRCB 404L	40	5	110
200	PRCB 504L	50	5	80

INTERSECTION - 4 WAY

DEEP CIRCULAR BOX WITH LID & SCREW



DEEP CIRCULAR BOX

SR. NO.	PRODUCT CODE	SIZE	STANDARD PACK	
		OD (mm)	Pc./Box	Pc./Carton
207	PRCB 191DL	19	10	280
208	PRCB 201DL	20	10	280
209	PRCB 251DL	25	10	280
210	PRCB 321DL	32	10	280

TERMINAL - 1 WAY

CIRCULAR BOX



SR. NO.	PRODUCT CODE	SIZE	STANDARD PACK	
		OD (mm)	Pc./Box	Pc./Carton
201	PRCB 204AL	20	12	216
202	PRCB 254AL	25	15	150

INTERSECTION - 4 WAY (AUTO LID W/O SCREW)

DEEP CIRCULAR BOX



SR. NO.	PRODUCT CODE	SIZE	STANDARD PACK	
		OD (mm)	Pc./Box	Pc./Carton
211	PRCB 192ADL	19	10	280
212	PRCB 202ADL	20	10	280
213	PRCB 252ADL	25	10	280
214	PRCB 322ADL	32	10	280

ANGLE - 2 WAY

PP CIRCULAR BOX WITH LID & SCREW



CIRCULAR BOX



SR. NO.	PRODUCT CODE	SIZE	STANDARD PACK	
		OD (mm)	Pc./Box	Pc./Carton
203	PPCB194L	19	15	240
204	PPCB254L	25	10	250

INTERSECTION - 4 WAY (POLYPROPYLENE)

DEEP CIRCULAR BOX



SR. NO.	PRODUCT CODE	SIZE	STANDARD PACK	
		OD (mm)	Pc./Box	Pc./Carton
215	PRCB 192SDL	19	10	200
216	PRCB 202SDL	20	10	200
217	PRCB 252SDL	25	10	200
218	PRCB 322SDL	32	10	200

THROUGH - 2 WAY

PP DEEP CIRCULAR BOX WITH LID & SCREW



DEEP CIRCULAR BOX



SR. NO.	PRODUCT CODE	SIZE	STANDARD PACK	
		OD (mm)	Pc./Box	Pc./Carton
205	PPCB194DL	19	12	240
206	PPCB254DL	25	10	200

INTERSECTION - 4 WAY (POLYPROPYLENE)

DEEP CIRCULAR BOX



SR. NO.	PRODUCT CODE	SIZE	STANDARD PACK	
		OD (mm)	Pc./Box	Pc./Carton
219	PRCB 193DL	19	10	220
220	PRCB 203DL	20	10	220
221	PRCB 253DL	25	10	220
222	PRCB 323DL	32	10	160

TEE - 3 WAY



ROUND CONDUIT uPVC PIPE FITTINGS

HSN: 39174000



DEEP CIRCULAR BOX



SR. NO.	PRODUCT CODE	SIZE	STANDARD PACK	
		OD (mm)	Pc./Box	Pc./Carton
223	PRCB 194DL	19	10	220
224	PRCB 204DL	20	10	220
225	PRCB 254DL	25	10	220
226	PRCB 324DL	32	10	160

INTERSECTION - 4 WAY

CIRCULAR BOX



SR. NO.	PRODUCT CODE	SIZE	STANDARD PACK	
		OD (mm)	Pc./Box	Pc./Carton
227	PRCB 19UL	19	20	400
228	PRCB 20UL	20	20	400
229	PRCB 25UL	25	20	400

BRANCH - 2 WAY (U)

CIRCULAR BOX



SR. NO.	PRODUCT CODE	SIZE	STANDARD PACK	
		OD (mm)	Pc./Box	Pc./Carton
230	PRCB 19YL	19	15	300
231	PRCB 20YL	20	15	300
232	PRCB 25YL	25	15	300

BRANCH - 3 WAY (Y)

CIRCULAR BOX



SR. NO.	PRODUCT CODE	SIZE	STANDARD PACK	
		OD (mm)	Pc./Box	Pc./Carton
233	PRCB 19HL	19	15	300
234	PRCB 20HL	20	15	300
235	PRCB 25HL	25	15	300

BRANCH - 4 WAY (H)

CIRCULAR BOX



SR. NO.	PRODUCT CODE	SIZE	STANDARD PACK	
		OD (mm)	Pc./Box	Pc./Carton
236	PRCB 201 BOL	20	20	400
237	PRCB 251 BOL	25	15	300

BACK OUTLET - 1 WAY

CIRCULAR BOX



SR. NO.	PRODUCT CODE	SIZE	STANDARD PACK	
		OD (mm)	Pc./Box	Pc./Carton
238	PRCB 202S BOL	20	15	300
239	PRCB 252S BOL	25	15	240

BACK OUTLET THROUGH - 2 WAY

CIRCULAR BOX



SR. NO.	PRODUCT CODE	SIZE	STANDARD PACK	
		OD (mm)	Pc./Box	Pc./Carton
240	PRCB 202A BOL	20	15	300
241	PRCB 252A BOL	25	15	240

BACK OUTLET ANGLE - 2 WAY

CIRCULAR BOX



SR. NO.	PRODUCT CODE	SIZE	STANDARD PACK	
		OD (mm)	Pc./Box	Pc./Carton
242	PRCB 203 BOL	20	15	300
243	PRCB 253 BOL	25	15	240

BACK OUTLET TEE - 3 WAY

CIRCULAR EXTENSION RING



SR. NO.	PRODUCT CODE	SIZE	STANDARD PACK	
		OD (mm)	Pc./Box	Pc./Carton
244	PRER 20	20	50	800
245	PRER 25	25	40	640

LOOP IN BOX



SR. NO.	PRODUCT CODE	SIZE	STANDARD PACK	
		OD (mm)	Pc./Box	Pc./Carton
246	PRLB 19	19 (4 punch)	20	400
247	PRLB 20	20 (4 punch)	20	400
248	PRLB 25	25 (2 punch)	20	400

LOOP IN BOX EXTENSION



SR. NO.	PRODUCT CODE	SIZE	STANDARD PACK	
		OD (mm)	Pc./Box	Pc./Carton
249	PRLB 20E	20	24	384



ROUND CONDUIT uPVC PIPE FITTINGS

HSN: 39174000



COUPLER

SR. NO.	PRODUCT CODE	SIZE	STANDARD PACK	
		OD (mm)	Pc./Box	Pc./Carton
250	PCR 19	19	100	2000
251	PCR 20	20	100	2000
252	PCR 20 L	20 Long	150	2400
253	PCR 25	25	100	2000
254	PCR 32	32	60	960
255	PCR 40	40	30	480
256	PCR 50	50	20	320



EXPANSION COUPLER

SR. NO.	PRODUCT CODE	SIZE	STANDARD PACK	
		OD (mm)	Pc./Box	Pc./Carton
257	PCR 20E	20	20	600
258	PCR 25E	25	12	360
259	PCR 32E	32	8	240
260	PCR 50E	50	10	160



REDUCER COUPLER

SR. NO.	PRODUCT CODE	SIZE	STANDARD PACK	
		OD (mm)	Pc./Box	Pc./Carton
261	PRR1	25>20	250	4000

(PIPE TO FITTING)



REDUCER COUPLER

SR. NO.	PRODUCT CODE	SIZE	STANDARD PACK	
		OD (mm)	Pc./Box	Pc./Carton
262	PRR 2520	25 > 20	75	1500
263	PRR 3220	32 > 20	60	1200
264	PRR 3225	32 > 25	40	800
265	PRR 4020	40 > 20	48	960
266	PRR 4032	40 > 32	32	640
267	PRR 5032	50 > 32	30	480
268	PRR 5040	50 > 40	30	480

(PIPE TO PIPE)



SLIP TYPE BEND

SR. NO.	PRODUCT CODE	SIZE	STANDARD PACK	
		OD (mm)	Pc./Box	Pc./Carton
269	PRBN 19	19	65	1040
270	PRBN 20	20	65	1040
271	PRBN 25	25	35	560
272	PRBN 32	32	20	320
273	PRBN 40	40	10	160
274	PRBN 50	50	5	80
275	PRBN 63	63	-	50



SLIP TYPE LONG BEND

SR. NO.	PRODUCT CODE	SIZE	STANDARD PACK	
		OD (mm)	Pc./Box	Pc./Carton
276	PRBL 19	19	45	720
277	PRBL 20	20	45	720
278	PRBL 25	25	20	320
279	PRBL 32	32	10	160
280	PRBL 40	40	-	80
281	PRBL 50	50	-	55



SPACE BAR SADDLE

SR. NO.	PRODUCT CODE	SIZE	STANDARD PACK	
		OD (mm)	Pc./Box	Pc./Carton
282	PRBS 19	19	100	2000
283	PRBS 20	20	100	2000
284	PRBS 25	25	100	2000
285	PRBS 32	32	100	1600
286	PRBS 40	40	80	1280
287	PRBS 50	50	60	960
288	PRBS 63	63	-	50



ROUND CONDUIT uPVC PIPE FITTINGS

HSN: 39174000



SADDLE STRAP



SR. NO.	PRODUCT CODE	SIZE OD (mm)	STANDARD PACK	
			Pc./Box	Pc./Carton
289	PRSS 19	19	100	2000
290	PRSS 20	20	100	2000
291	PRSS 25	25	100	2000
292	PRSS 32	32	100	1600
293	PRSS 40	40	80	1280
294	PRSS 50	50	60	960

FEMALE BUSH ADAPTOR



SR. NO.	PRODUCT CODE	SIZE OD (mm)	STANDARD PACK	
			Pc./Box	Pc./Carton
307	PFBA 19	19	100	2000
308	PFBA 20	20	100	2000
309	PFBA 25	25	100	2000
310	PFBA 32	32	75	1200
311	PFBA 40	40	50	800
312	PFBA 50	50	25	400

SELF LOCKING SADDLE CLIP



SR. NO.	PRODUCT CODE	SIZE OD (mm)	STANDARD PACK	
			Pc./Box	Pc./Carton
295	PPSC20SL	20	75	450
296	PPSC25SL	25	50	300

(POLYPROPYLENE)

ROUND ELBOW



SR. NO.	PRODUCT CODE	SIZE OD (mm)	STANDARD PACK	
			Pc./Box	Pc./Carton
313	PRE 20	20	125	2500
314	PRE 25	25	75	1200
315	PRE 32	32	20	400
316	PRE 40	40	15	300
317	PRE 50	50	10	200

ROUND 'U' CLIP



SR. NO.	PRODUCT CODE	SIZE OD (mm)	STANDARD PACK	
			Pc./Box	Pc./Carton
297	PRUC 20	20	200	4000
298	PRUC 25	25	100	3000

END CAP



SR. NO.	PRODUCT CODE	SIZE OD (mm)	STANDARD PACK	
			Pc./Box	Pc./Carton
299	PREC 20	20	150	3000
300	PREC 25	25	100	2000
301	PREC 32	32	70	1400
302	PREC 40	40	32	640
303	PREC 50	50	24	480

ROUND TEE



SR. NO.	PRODUCT CODE	SIZE OD (mm)	STANDARD PACK	
			Pc./Box	Pc./Carton
318	PRT 20	20	50	1500
319	PRT 25	25	50	800
320	PRT 32	32	15	300
321	PRT 40	40	10	200
322	PRT 50	50	10	160

MALE BUSH ADAPTOR



SR. NO.	PRODUCT CODE	SIZE OD (mm)	STANDARD PACK	
			Pc./Box	Pc./Carton
304	PMBA 19	19	100	2000
305	PMBA 20	20	100	2000
306	PMBA 25	25	100	2000

INSPECTION ELBOW



SR. NO.	PRODUCT CODE	SIZE OD (mm)	STANDARD PACK	
			Pc./Box	Pc./Carton
323	PIE 20	20	20	600
324	PIE 25	25	20	400



ROUND CONDUIT UPVC PIPE FITTINGS

HSN: 39174000



INSPECTION TEE

SR. NO.	PRODUCT CODE	SIZE OD (mm)	STANDARD PACK	
			Pc./Box	Pc./Carton
325	PIT 20	20	20	600
326	PIT 25	25	20	400

INSPECTION BEND



SR. NO.	PRODUCT CODE	SIZE OD (mm)	STANDARD PACK	
			Pc./Box	Pc./Carton
327	PIB 20	20	20	600
328	PIB 25	25	20	400

ADAPTABLE BOX WITH LID



SR. NO.	PRODUCT CODE	SIZE OD (mm)	STANDARD PACK	
			Pc./Box	Pc./Carton
329	PAB 75L	3" x 3" x 2" 75x75x50	10	200
330	PAB 110L	4" x 4" x 3" 110x110x75	-	100
331	PAB 160L	6" x 4" x 3" 160x110x75	-	75
332	PAB 160SL	6" x 6" x 3" 160x160x75	-	50
333	PAB 225SL	9" x 9" x 3" 225x225x75	-	20
334	PAB 300SL	12" x 12" x 4" 300x300x110	-	5

SURFACE SWITCH BOX



SR. NO.	PRODUCT CODE	SIZE OD (mm)	STANDARD PACK	
			Pc./Box	Pc./Carton
335	PSB1	3" x 3"	10	300
336	PSB2	6" x 3"	10	200

(WHITE)

SWITCH BOX LID



SR. NO.	PRODUCT CODE	SIZE OD (mm)	STANDARD PACK	
			Pc./Box	Pc./Carton
337	PSBL1 LID	3" x 3"	40	1200
338	PSBL2 LID	6" x 3"	25	750

(WHITE)

FLUSH MOUNTED



SR. NO.	PRODUCT CODE	SIZE OD (mm)	STANDARD PACK	
			Pc./Box	Pc./Carton
339	PFSB1	3" x 3" x 2"	10	200
340	PFSB2	6" x 3" x 2"	10	160

(SWITCH BOX)



FAN BOX

SR. NO.	PRODUCT CODE	SIZE OD (mm)	STANDARD PACK	
			Pc./Box	Pc./Carton
341	PRFB20	20 Standard	10	220
342	PRFB25	25 Standard	10	220
343	PRFB20SL	20 Large	10	140
344	PRFB25SL	25 Large	10	140
345	PRFBRD2025	20/25 with Rod	1	28
346	PRFBRD25	25 with Rod	1	28

(BLACK)

METAL FAN BOX



SR. NO.	PRODUCT CODE	SIZE OD (mm)	STANDARD PACK Pc./Bag
347	PMFB 2025	20/25	50

WITH ROD (BROWN)

HSN : 73072900

UPVC SOLVENT CEMENT



SR. NO.	PRODUCT CODE	SIZE (ml)	Colour	STANDARD PACK	
				Pc./Box	Pc./Carton
348	PSC100 ML	100ml	Transparent	24	144
349	PSC250 ML	250ml	Transparent	24	96
350	PSC500 ML	500ml	Transparent	12	48
351	PSC1L	1L	Transparent	6	24
352	PSC5L	5L	Transparent	-	6

HSN: 35061000

PVC ELECTRICAL INSULATION TAPE



SR. NO.	PRODUCT CODE	SIZE W(mm)xL(Mtr)	STANDARD PACK	
			Pc./Box	Pc./Carton
353	PPIT 18	18x6	30	540

HSN : 85469090

* 20mm Knockout Available Δ 32/38/40mm Knockout Available
 ≠ 20/25 Knockout Available ◇ 50mm Knockout Available



PRECISION[®]

Pipes | Desh ki Lifeline





ALL WEATHER BOXES

Precision All Weather Boxes

are manufactured from high quality impact resistant Engineering Thermoplastics (Polycarbonate / ABS).

The material itself is self-extinguishing and our specially developed formulation gives it special ability to withstand high temperatures. The product passes stringent IP 67 standard requirements which makes it suitable to use indoor and outdoor in harsh environment. Our specially made design gives it highest level of safety from unwanted ingress of oil / water / any other solid waste.



Applications

Enclosure boxes for electrical installations.
Suitable for Outdoor / Indoor environment.

Features

- IP 67 compliance, suitable for Outdoor Installations (CIPET tested)
- Specially formulated Engineering Thermoplastic (Polycarbonate / ABS) gives temperature protection ranging from -40°C to $+90^{\circ}\text{C}$
- Weatherproof, Dust proof and Impact resistant
- Transparent lids ensure enhanced visibility
- Innovative design makes compatible for various types of Switchgears / Electrical components
- Body part with adequate molded markings for easy cable entry location from all sides
- Various sizes available as per individual choice
- Screws supplied are made up of anti-rust SS / Engineering Plastic for corrosion free working and durability as well.



ALL WEATHER BOXES

IP 67 HSN: 85381010

GREY

ALL WEATHER BOXES OPAQUE LID (ABS)



Sr No.	Product Code	Size L x W x H (mm)	Standard Pack (Pc/Carton)
354	PAB 8383OL	83 X 83 X 65	21
⊗ 355	PAB 8888OL	88 X 88 X 53	27
⊗ 356	PAB 9898OL	98 X 98 X 61	24
357	PAB 100100OL	100 X 100 X 65	21
358	PAB 13080OL	130 X 80 X 65	16
359	PAB 130130OL	130 X 130 X 80	16
⊗ 360	PAB 139119OL	139 X 119 X 70	10
⊗ 361	PAB 167125OL	167 X 125 X 82	12
362	PAB 18080OL	180 X 80 X 90	12
363	PAB 1801OL	180 X 130 X 75	16
364	PAB 1802OL	180 X 130 X 100	12
365	PAB 180180OL	180 X 180 X 100	20
⊗ 366	PAB 200160OL	200 X 160 X 98	8
367	PAB 210190OL	210 X 190 X 100	6
368	PAB 27080OL	270 X 80 X 90	12
369	PAB 280190OL	280 X 190 X 130	4
370	PAB 280280OL	280 X 280 X 130	2
371	PAB 380190OL	380 X 190 X 130	3
372	PAB 380280OL	380 x 280 x 130	2
373	PAB 560380OL	560 X 380 X 180	2

⊗ With Knockout

ALL WEATHER BOXES TRANSPARENT LID (ABS)



Sr No.	Product Code	Size L x W x H (mm)	Standard Pack (Pc/Carton)
374	PAB 18080TL	180 X 80 X 90	12
375	PAB 27080TL	270 X 80 X 90	12
376	PAB 180130TL	180 X 130 X 100	12
377	PAB 180180TL	180 X 180 X 100	20
378	PAB 210190TL	210 X 190 X 100	6
379	PAB 280190TL	280 X 190 X 130	4
380	PAB 280280TL	280 X 280 X 130	2
381	PAB 380190TL	380 X 190 X 130	3
382	PAB 380280TL	380 x 280 x 130	2
383	PAB 560380TL	560 X 380 X 180	2



PRECISION[®]

Pipes | Desh ki Lifeline





G.I & M.S. CONDUIT PIPES & FITTINGS

Precision G.I & M.S. Conduit Pipes

are manufactured from rigorously tested raw material, in accordance with IS 9537 Part – 2.

G.I. Conduit Pipes are coated at a hot dipped galvanising plant in which iron or steel is coated with a layer of zinc. This coating makes the conduit safe and durable for industrial installations, coastal line atmosphere & thermal power stations.

M.S. Conduit Pipes are treated and coated with paint.



Applications

Channelising electrical surface wiring and cable ducting.

Features



Anti - Rust Coat



Good Finish



Easy to cut



High resistance to Corrosion



DIMENSIONS OF G.I. & M.S. CONDUIT PIPES

NORMAL SIZE	OUTSIDE DIAMETER	TOLERANCE OD	WALL THICKNESS	WALL THICKNESS TOLERANCE
MM	MM	MM	MM	MM
20	20	0 -0.3	1.60	±0.2
25	25	0 -0.4	1.60	±0.2
32	32	0 -0.4	1.60	±0.2
40	40	0 -0.4	2.00	+0.2 -0.4
50	50	0 -0.5	2.00	+0.2 -0.4



G.I. CONDUIT PIPES

SR. NO.	PRODUCT CODE	SIZE	STANDARD PACK	
		OD (mm)	Pc./Mtr	Mtr./Bdl.
384	PGIC 20	20	26 x 3m	78
385	PGIC 25	25	21 x 3m	63
386	PGIC 32	32	16 x 3m	48
387	PGIC 40	40	10 x 3m	30
388	PGIC 50	50	5 x 3m	15

- COLOUR: SILVER



M.S. CONDUIT PIPES

SR. NO.	PRODUCT CODE	SIZE	STANDARD PACK	
		OD (mm)	Pc./Mtr	Mtr./Bdl.
389	PMSC 20	20	26 x 3m	78
390	PMSC 25	25	21 x 3m	63
391	PMSC 32	32	16 x 3m	48
392	PMSC 40	40	10 x 3m	30
393	PMSC 50	50	5 x 3m	15

- COLOUR: BLACK

G.I. & M.S. CONDUIT PIPE FITTINGS

CIRCULAR BOX WITH LID AND SCREW

G.I. CIRCULAR BOX



SR. NO.	PRODUCT CODE	SIZE	STANDARD PACK	
		OD (mm)	Pc./Box	Pc./Carton
394	PGIB 251	25	20	200

TERMINAL - 1 WAY (SCREW TYPE)

M.S. CIRCULAR BOX



SR. NO.	PRODUCT CODE	SIZE	STANDARD PACK	
		OD (mm)	Pc./Box	Pc./Carton
398	PMSB 202S	20	20	200
399	PMSB 252S	25	20	200

THROUGH - 2 WAY (SCREW TYPE)

M.S. CIRCULAR BOX



SR. NO.	PRODUCT CODE	SIZE	STANDARD PACK	
		OD (mm)	Pc./Box	Pc./Carton
395	PMSB 201	20	20	200
396	PMSB 251	25	20	200

TERMINAL - 1 WAY (SCREW TYPE)

G.I. CIRCULAR BOX



SR. NO.	PRODUCT CODE	SIZE	STANDARD PACK	
		OD (mm)	Pc./Box	Pc./Carton
400	PGIB 253	20	20	200

TEE - 3 WAY (SCREW TYPE)

G.I. CIRCULAR BOX



SR. NO.	PRODUCT CODE	SIZE	STANDARD PACK	
		OD (mm)	Pc./Box	Pc./Carton
397	PGIB 252S	25	20	200

THROUGH - 2 WAY (SCREW TYPE)

M.S. CIRCULAR BOX



SR. NO.	PRODUCT CODE	SIZE	STANDARD PACK	
		OD (mm)	Pc./Box	Pc./Carton
401	PMSB 203	20	20	200
402	PMSB 253	25	20	200

TEE - 3 WAY (SCREW TYPE)

G.I. & M.S. CONDUIT PIPE FITTINGS

HSN : 73269099



G.I. CIRCULAR BOX



SR. NO.	PRODUCT CODE	SIZE	STANDARD PACK	
		OD (mm)	Pc./Box	Pc./Carton
403	PGIB 254	25	20	200

INTERSECTION - 4 WAY (SCREW TYPE)

M.S. INSPECTION BEND



SR. NO.	PRODUCT CODE	SIZE	STANDARD PACK	
		OD (mm)	Pc./Box	Pc./Carton
407	PMS 20IBS	20	20	200
408	PMS 25IBS	25	20	200

(SCREW TYPE)

M.S. CIRCULAR BOX



SR. NO.	PRODUCT CODE	SIZE	STANDARD PACK	
		OD (mm)	Pc./Box	Pc./Carton
404	PMSB 204	20	20	200
405	PMSB 254	25	20	200

INTERSECTION - 4 WAY (SCREW TYPE)

M.S. NORMAL BEND



SR. NO.	PRODUCT CODE	SIZE	STANDARD PACK	
		OD (mm)	Pc./Box	Pc./Carton
409	PMS 25NBIT	25	12	144

INTERNAL THREAD

G.I. INSPECTION BEND



SR. NO.	PRODUCT CODE	SIZE	STANDARD PACK	
		OD (mm)	Pc./Box	Pc./Carton
406	PGI 25IBT	25	20	200

(THREAD TYPE)



PRECISION[®]

Pipes | Desh ki Lifeline





uPVC MINI/MAXI TRUNKING PROFILE & FITTINGS

Precision uPVC Mini/Maxi Trunking Profile & Fittings are manufactured from high impact unplasticised polyvinyl chloride (uPVC) grade material capable of withstanding the most hazardous conditions on-site and exceeds the most stringent requirements of Indian and International standards. The product range brings a whole new world of sophistication and convenience to home, office and commercial establishments and is in accordance with Indian Standard IS 14927 - Part 2 and BS EN 50085 -2-1. Mini Trunking Profile are also available with self-fixing tape for instant and easy installation. Clip on lid provides security while allowing easy maintenance.

Precision uPVC Maxi Trunking Profile Cable Management System is designed for convenience and safety with compartments for separate wiring applications. Maxi Trunking Profile Fittings are available in moulded and fabricated form, thus adding a sleek touch to your interiors.



Applications

To organize and protect cables on surface.

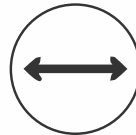
Features



Easy and quick installation



Secure & Elegant look



Various Sizes Available



Durable & Impact Resistant



Fire retardant



Thermal resistant
(-5° C to +60° C)



UPVC MINI / MAXI TRUNKING PROFILE

CE FR HSN: 39162019

IVORY

WHITE



UPVC MINI TRUNKING PROFILE

SR. NO.	PRODUCT CODE	SIZE (WxH)	STANDARD PACK	
		(mm)	Pc./Mtr	Mtr / Bdl
410	PT2012	20 x 12	100 x 2m	200
411	PT2512	25 x 12	100 x 2m	200
# 412	PT3015	30 x 15	100 x 2m	200
413	PT3212	32 x 12	100 x 2m	200
414	PT3212SPL	32 x 12	100 x 2m	200
# 415	PT1616	16 x 16	100 x 2m	200
416	PT2516	25 x 16	100 x 2m	200
417	PT2516SPL	25 x 16	100 x 2m	200
# 418	PT3216	32 x 16	100 x 2m	200
419	PT3816	38 x 16	50 x 2m	100
420	PT3825	38 x 25	50 x 2m	100
421	PT3838	38 x 38	25 x 2m	50
422	PT5016	50 x 16	50 x 2m	100

(IVORY/WHITE)



UPVC MAXI TRUNKING PROFILE

SR. NO.	PRODUCT CODE	SIZE (WxH)	STANDARD PACK	
		(mm)	Pc./Mtr	Mtr / Bdl
423	PT5050	50 x 50	20 x 2m	40
424	PT7550	75 x 50	12 x 2m	24
425	PT7575	75 x 75	9 x 2m	18
426	PT10050	100 x 50	10 x 2m	20
427	PT100100	100 x 100	6 x 2m	12
428	PT15050	150 x 50	5 x 2m	10
429	PT150100	150 x 100	4 x 2m	8

(WHITE)



UPVC MAXI TRUNKING PROFILE DIVIDER

SR. NO.	PRODUCT CODE	SIZE (WxH)	STANDARD PACK	
		(mm)	Pc./Mtr	Mtr / Bdl
∞ 430	PMTD	Standard	50 x 2m	100

Special Size

∞ 100 x 50

(WHITE)

UPVC MINI / MAXI TRUNKING PROFILE FITTINGS (MOULDED)

HSN: 39174000



COUPLER

SR. NO.	PRODUCT CODE	SIZE (W x H) (mm)	STANDARD PACK Pc./Box
431	PTC 2012	20 x 12	100
432	PTC 2512	25 x 12	100
433	PTC 3212	32 x 12	100
434	PTC 1616	16 x 16	100
435	PTC 3816	38 x 16	50
436	PTC 3825	38 x 25	50
437	PTC 10050	100 x 50(W)	10



INTERNAL BEND

SR. NO.	PRODUCT CODE	SIZE (W x H) (mm)	STANDARD PACK Pc./Box
452	PTI 2512	25 x 12	100
453	PTI 3212	32 x 12	100
454	PTI 1616	16 x 16	100
455	PTI 3816	38 x 16	100
456	PTI 3825	38 x 25	50
457	PTI 10050	100 x 50(W)	10



ELBOW

SR. NO.	PRODUCT CODE	SIZE (W x H) (mm)	STANDARD PACK Pc./Box
438	PTB 2012	20 x 12	100
439	PTB 2512	25 x 12	100
440	PTB 3212	32 x 12	100
441	PTB 1616	16 x 16	100
442	PTB 3816	38 x 16	100
443	PTB 3825	38 x 25	100
444	PTB 10050	100 x 50(W)	10



EXTERNAL BEND

SR. NO.	PRODUCT CODE	SIZE (W x H) (mm)	STANDARD PACK Pc./Box
458	PTE 2512	25 x 12	100
459	PTE 3212	32 x 12	100
460	PTE 1616	16 x 16	100
461	PTE 3816	38 x 16	100
462	PTE 3825	38 x 25	50
463	PTE 10050	100 x 50(W)	10



TEE

SR. NO.	PRODUCT CODE	SIZE (W x H) (mm)	STANDARD PACK Pc./Box
445	PTT 2012	20 x 12	100
446	PTT 2512	25 x 12	50
447	PTT 3212	32 x 12	50
448	PTT 1616	16 x 16	100
449	PTT 3816	38 x 16	50
450	PTT 3825	38 x 25	50
451	PTT 10050	100 x 50(W)	10



4 - WAY

SR. NO.	PRODUCT CODE	SIZE (W x H) (mm)	STANDARD PACK Pc./Box
464	PTW3212	32 x 12	50



END CAP

SR. NO.	PRODUCT CODE	SIZE (W x H) (mm)	STANDARD PACK Pc./Box
465	PMTC 100	100 x 50(W)	50

- ABS

UPVC MINI / MAXI TRUNKING PROFILE FITTINGS (MOULDED)

HSN: 39174000



JUNCTION LINKER



SR. NO.	PRODUCT CODE	SIZE (W x H)	STANDARD PACK	
		(mm)	Pc./Bag	Pc./Carton
466	PTJL7575	Standard	20	300

(POLY PROPYLENE)

SURFACE SWITCH BOX



SR. NO.	PRODUCT CODE	SIZE (W x H)	STANDARD PACK	
		(mm)	Pc./Box	Pc./Carton
467	PTSB1	3"x3" (W)	10	300
468	PTSB2	6"x3" (W)	10	200

- TRUNKING KNOCKOUT

\$ 16 x 16, 25 x 16 Knockout Available
(W) - White

UPVC MINI / MAXI TRUNKING PROFILE FITTINGS (FABRICATED)

HSN: 39174000



ELBOW



SR. NO.	PRODUCT CODE	SIZE (W x H) (mm)	STANDARD PACK Pc./Bag
469	PMTL50	50 x 50	5
470	PMTL751	75 x 50	5
471	PMTL752	75 x 75	5
472	PMTL1002	100 x 100	5
473	PMTL1501	150 x 50	5

EXTERNAL ANGLE



SR. NO.	PRODUCT CODE	SIZE (W x H) (mm)	STANDARD PACK Pc./Bag
484	PMTE50	50 x 50	5
485	PMTE751	75 x 50	5
486	PMTE752	75 x 75	5
487	PMTE1002	100 x 100	5
488	PMTE1501	150 x 50	5

TEE



SR. NO.	PRODUCT CODE	SIZE (W x H) (mm)	STANDARD PACK Pc./Bag
474	PMTT50	50 x 50	5
475	PMTT751	75 x 50	5
476	PMTT752	75 x 75	5
477	PMTT1002	100 x 100	5
478	PMTT1501	150 x 50	5

END CAP



SR. NO.	PRODUCT CODE	SIZE (W x H) (mm)	STANDARD PACK Pc./Bag
489	PFTC50	50 x 50	5
490	PFTC751	75 x 50	5
491	PFTC752	75 x 75	5
492	PFTC1002	100 x 100	5
493	PFTC1501	150 x 50	5

INTERNAL ANGLE



SR. NO.	PRODUCT CODE	SIZE (W x H) (mm)	STANDARD PACK Pc./Bag
479	PMTI50	50 x 50	5
480	PMTI751	75 x 50	5
481	PMTI752	75 x 75	5
482	PMTI1002	100 x 100	5
483	PMTI1501	150 x 50	5



PRECISION[®]

Pipes | Desh ki Lifeline





METALLIC CABLE MANAGEMENT SYSTEM

Precision after serving India and overseas markets all these years in routing wires through our conduits, we have launched metallic cable management system to route HT/ LT/ LV cables through our Perforated, Ladder & Trunking cable tray with accessories.



It comes in 3 major categories as follows.

- a) Trunking Cable Tray (TCT) and Fittings
- b) Perforated Cable Tray (PCT) and Fittings
- c) Ladder Cable Tray (LCT) and Fittings

All above categories are further divided in various finishes such as

- i) Hot Dip Galvanized (HDG)
- ii) Powder Coated (PC)
- iii) Enamel Painted (EP)
- iv) Pre-Galvanized Sheets (PG)

Applications

Metallic Cable Management System for
HT/ LT/ LV cables

Suitable for Indoor and Outdoor environment.

Features

- Available in different Thicknesses ranging from 1.6 mm to 3.0 mm
- Various Width x Height sizes available to make it cost effective
- Choice of Finishes / Raw Materials available as per individual requirements
- Available in standard length of 2.5 Mtr
- Once fixed, it is absolutely Maintenance Free
- Availability of lids makes it easy to open in case of future work at later stage
- All raw material used is of IS grade
- Complimentary 2 nos of Coupler Plates & Nut-Bolts with each Cable Tray
- Suitable Fittings available in all categories of Cable Tray
- Hot dip Galvanizing comes with 65 μm as standard Zinc coating. For humid and corrosive environment 80 / 120 μm coating is also available as per requirements.

METALLIC CABLE MANAGEMENT SYSTEM

HSN : 73089090

TRUNKING CABLE TRAY (TCT)



Sr No	Size: WxH (mm)	Cover WxH (mm)	Standard Length (Mtr)	Standard Pack (Pc)
494	50 x 38	55 X 12	2.5	1
495	50 x 50	55 X 12	2.5	1
496	100 x 50	105 X 12	2.5	1
497	150 x 50	155 X 12	2.5	1
498	200 x 50	205 X 12	2.5	1
499	300 x 50	305 X 12	2.5	1
500	450 x 50	455 X 12	2.5	1
501	600 x 50	605 X 12	2.5	1
502	100 x 70	105 X 12	2.5	1
503	150 x 75	155 X 12	2.5	1
504	200 x 75	205 X 12	2.5	1
505	300 x 75	305 X 12	2.5	1
506	450 x 75	455 X 12	2.5	1
507	600 x 75	605 X 12	2.5	1

ACCESSORIES FOR TRUNKING CABLE TRAY (TCT)



Sr No	Fitting	Type	Standard Pack (Pc)
508	45° Bend	Horizontal	1
509	45° Bend	Vertical	1
510	90° Bend	Horizontal	1
511	90° Bend	Vertical	1
512	Tee joint	Equal	1
513	Tee joint	Unequal	1
514	Reducer joint	Concentric	1
515	Reducer joint	Eccentric	1
516	4 way Cross joint	Equal	1
517	4 way Cross joint	Unequal	1

All above sizes are available:

In 1.60mm, 2.0 mm, 2.50mm and 3.0mm thickness also.

In HR / CRCA / Pre - Galvanised / Aluminum material also.

In Hot dip Galvanised / Powder Coated / Painted / Pre - Galvanised finishes also.

All above fittings are available for TCT range from 50 x 38 mm to 600 x 75 mm.

METALLIC CABLE MANAGEMENT SYSTEM

HSN : 73089090

PERFORATED CABLE TRAY (PCT)



Sr No	Size: W x H (mm)	Standard Length (Mtr)	Standard Pack (Pc)
518	50 x 50	2.5	1
519	100 x 50	2.5	1
520	150 x 50	2.5	1
521	200 x 50	2.5	1
522	300 x 50	2.5	1
523	450 x 50	2.5	1
524	600 x 50	2.5	1
525	100 x 75	2.5	1
526	150 x 75	2.5	1
527	200 x 75	2.5	1
528	300 x 75	2.5	1
529	450 x 75	2.5	1
530	600 x 75	2.5	1
531	150 x 100	2.5	1
532	200 x 100	2.5	1
533	300 x 100	2.5	1
534	450 x 100	2.5	1
535	600 x 100	2.5	1

ACCESSORIES FOR PERFORATED CABLE TRAY (PCT)



Sr No	Fitting	Type	Standard Pack (Pc)
536	45° Bend	Horizontal	1
537	45° Bend	Vertical	1
538	90° Bend	Horizontal	1
539	90° Bend	Vertical	1
540	Tee joint	Equal	1
541	Tee joint	Unequal	1
542	Reducer joint	Concentric	1
543	Reducer joint	Eccentric	1
544	4 way Cross joint	Equal	1
545	4 way Cross joint	Unequal	1

All above sizes are available:

In 1.60mm, 2.0 mm, 2.50mm and 3.0mm thickness also.

In HR / CRCA / Pre - Galvanised / Aluminum material also.

In Hot dip Galvanised / Powder Coated / Painted / Pre - Galvanised finishes also.

Covers are available for Perforated Cable Tray also.

All above fittings are available for PCT range from 50 x 50 mm to 600 x 100 mm.

METALLIC CABLE MANAGEMENT SYSTEM

HSN : 73089090

LADDER CABLE TRAY (LCT)

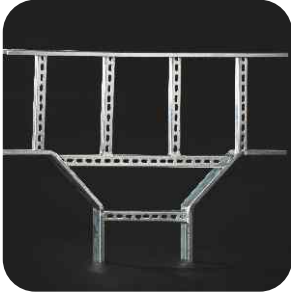
Sr No	Size: W x H (mm)	Standard Length (Mtr)	Standard Pack (Pc)
546	100 x 50	2.5	1
547	150 x 50	2.5	1
548	200 x 50	2.5	1
549	300 x 50	2.5	1
550	450 x 50	2.5	1
551	600 x 50	2.5	1
552	750 x 50	2.5	1
553	900 x 50	2.5	1
554	1000 x 50	2.5	1
555	100 x 75	2.5	1
556	150 x 75	2.5	1
557	200 x 75	2.5	1
558	300 x 75	2.5	1
559	450 x 75	2.5	1
560	600 x 75	2.5	1
561	750 x 75	2.5	1
562	900 x 75	2.5	1
563	1000 x 75	2.5	1
564	1200 x 75	2.5	1
565	1500 x 75	2.5	1
566	150 x 100	2.5	1
567	200 x 100	2.5	1
568	300 x 100	2.5	1
569	450 x 100	2.5	1
570	600 x 100	2.5	1
571	750 x 100	2.5	1
572	900 x 100	2.5	1
573	1000 x 100	2.5	1
574	1200 x 100	2.5	1
575	1500 x 100	2.5	1



METALLIC CABLE MANAGEMENT SYSTEM

HSN : 73089090

ACCESSORIES FOR LADDER CABLE TRAY (LCT)



Sr No	Fitting	Type	Standard Pack (pc)
576	45° Bend	Horizontal	1
577	45° Bend	Vertical	1
578	90° Bend	Horizontal	1
579	90° Bend	Vertical	1
580	Tee joint	Equal	1
581	Tee joint	Unequal	1
582	Reducer joint	Concentric	1
583	Reducer joint	Eccentric	1
584	4 way Cross joint	Equal	1
585	4 way Cross joint	Unequal	1

All above sizes are available:

In 1.60mm, 2.0 mm, 2.50mm and 3.0mm thickness also.

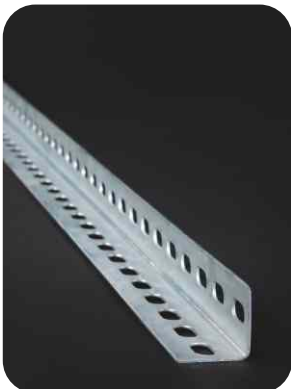
In HR / CRCA / Pre - Galvanised / Aluminum material also.

In Hot dip Galvanised / Powder Coated / Painted / Pre - Galvanised finishes also.

Covers are available for Ladder Cable Tray also.

All above fittings are available for LCT range from 100 x 50 mm to 1500 x 100 mm.

SLOTTED L SECTION



Sr No	Size (mm)	Standard Length (Mtr)	Standard Pack (Pc)
586	25 x 25	2.5	1
587	25 x 30	2.5	1
588	25 x 35	2.5	1
589	30 x 30	2.5	1
590	30 x 35	2.5	1
591	30 x 40	2.5	1
592	30 x 45	2.5	1
593	35 x 30	2.5	1
594	35 x 35	2.5	1
595	30 x 40	2.5	1
596	40 x 35	2.5	1
597	40 x 40	2.5	1
598	40 x 45	2.5	1
599	40 x 50	2.5	1
600	45 x 45	2.5	1
601	45 x 50	2.5	1
602	50 x 50	2.5	1

METALLIC CABLE MANAGEMENT SYSTEM

HSN : 73089090

SLOTTED C SECTION



Sr No	Size (mm)	Standard Length (Mtr)	Standard Pack (Pc)
603	15 X 30 X 15	2.5	1
604	15 X 35 X 15	2.5	1
605	20 X 35 X 20	2.5	1
606	25 X 35 X 25	2.5	1
607	15 X 40 X 15	2.5	1
608	20 X 40 X 20	2.5	1
609	25 X 40 X 25	2.5	1
610	15 X 50 X 15	2.5	1
611	20 X 50 X 20	2.5	1
612	25 X 50 X 25	2.5	1

SLOTTED Z SECTION



Sr No	Size (mm)	Standard Length (Mtr)	Standard Pack (Pc)
613	25 X 25 X 25	2.5	1
614	25 X 30 X 25	2.5	1
615	30 X 30 X 30	2.5	1
616	30 X 35 X 30	2.5	1
617	30 X 40 X 30	2.5	1
618	30 X 50 X 30	2.5	1
619	35 X 30 X 35	2.5	1
620	35 X 35 X 35	2.5	1
621	35 X 40 X 35	2.5	1
622	35 X 50 X 35	2.5	1
623	40 X 35 X 40	2.5	1
624	40 X 40 X 40	2.5	1
625	45 X 40 X 45	2.5	1
626	45 X 45 X 45	2.5	1
627	45 X 50 X 45	2.5	1
628	50 X 45 X 50	2.5	1
629	50 X 50 X 50	2.5	1

All above sizes are available:

In 1.60mm, 2.0 mm, 2.50mm and 3.0mm thickness also.

In HR / CRCA / Pre - Galvanised / Aluminum material also.

In Hot dip Galvanised / Powder Coated / Painted / Pre - Galvanised finishes also.



PRECISION[®]

Pipes | Desh ki Lifeline





uPVC PANEL TRUNKING

Precision uPVC Panel Trunking

is manufactured from high impact unplasticised polyvinyl chloride (uPVC) to ensure panel & machinery safety in extreme conditions. These trunkings are ideal to channelise medium, big size panels & various applications where economy, space saving, safety and durability are paramount.



Applications

To conduct, organise and protect cables inside electrical and telecommunication panels, industrial machinery wiring, computer LAN wiring and data centers.

Features



Fire retardant



Thermal resistant
(-5° C to +60° C)



High Tensile
Strength
(390 kg/cm²)

- Non-brittle, warp proof.
- Vertical slides and detachable strips facilitates systematic wiring, permits faster connections, additions and fault tracing of wires.
- Avoids bunching, taping, and provides complete electrical insulation.
- Unique cover locking design prevents popping of wires while removing cover
- Elongated slots at bottom allows flexible mounting.



UPVC PANEL TRUNKING ≈ FRLS CE

HSN : 85381010



UPVC PANEL TRUNKING

SR. NO.	PRODUCT CODE	SIZE	STANDARD PACK	
		H x W(mm)	Pc/Mtr	Mtr/Carton
630	PPT1515	15 x 15	200 x 1m	200
631	PPT2525	25 x 25	130 x 1m	130
632	PPT3025	30 x 25	125 x 1m	125
633	PPT4525	45 x 25	90 x 1m	90
634	PPT4545	45 x 45	50 x 1m	50
635	PPT4560	45 x 60	50 x 1m	50
636	PPT6025	60 x 25	70 x 1m	70
637	PPT6040	60 x 40	60 x 1m	60
638	PPT6045	60 x 45	50 x 1m	50
639	PPT6060	60 x 60	40 x 1m	40
640	PPT7525	75 x 25	60 x 1m	60
641	PPT7575	75 x 75	30 x 1m	30
642	PPT10075	100 x 75	24 x 1m	24
643	PPT100100	100 x 100	16 x 1m	16

- STANDARD SLOT

UPVC PANEL TRUNKING



SR. NO.	PRODUCT CODE	SIZE	STANDARD PACK	
		H x W(mm)	Pc/Mtr	Mtr/Carton
644	PPT3025TS	30 x 25	125 x 1m	125
645	PPT4525TS	45 x 25	90 x 1m	90
646	PPT4545TS	45 x 45	50 x 1m	50
647	PPT4560TS	45 x 60	50 x 1m	50
648	PPT6025TS	60 x 25	70 x 1m	70
649	PPT6040TS	60 x 40	60 x 1m	60
650	PPT6045TS	60 x 45	50 x 1m	50
651	PPT6060TS	60 x 60	40 x 1m	40

- THIN SLOT

UPVC PANEL TRUNKING

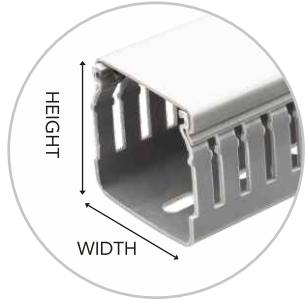


SR. NO.	PRODUCT CODE	SIZE	STANDARD PACK	
		(mm)	Pc/Mtr	Mtr/Carton
652	PPT25T	25	100 x 1m	100
653	PPT40T	40	50 x 1m	50
654	PPT45T	45	50 x 1m	50
655	PPT60T	60	50 x 1m	50
656	PPT75T	75	25 x 1m	25
657	PPT100T	100	25 x 1m	25

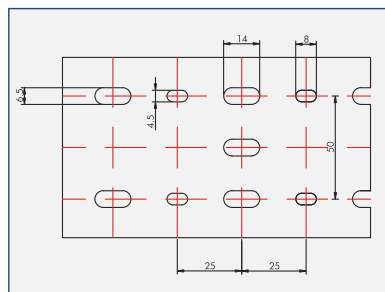
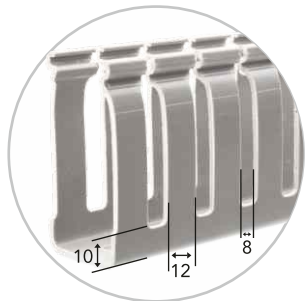
- TOP COVER



STANDARD SLOT



THIN SLOT



For Panel Trunking
75 x 75, 100 x 75, 100 x 100

All Dimensions are in (mm)

OPTIMAL GRIP LID

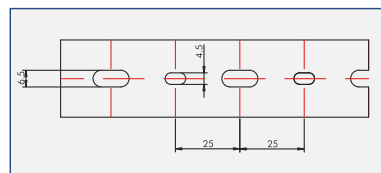
- Precision's Panel Trunking Lid design provides high capacity to sustain loads of wire in the case of a cable positioned in the centre of the duct and avoids them from riding up.
- Quick snap on/off non-slip assembly forms a firm & rigid channel.
- Interlocking lid and channel is optimised to make the system easier to install and to provide discrete routing of cables.
- Uniform grip and thickness throughout the length system with independent non-slip lid, keeps cover in place during high vibration applications.

WALL PERFORATION RIB DESIGN

- All wall perforation ribs of Precision Panel Trunking have larger rounded slots for easy insertion of wires and cables.
- Rounded design with burr-free edges to prevent any injury to the hand of the user or to the cable insulation.

ELONGATED MOUNTING SLOTS

- Perforated base with elongated slot allows flexible mounting and better fastening of the cables.
- Robust sections.



For Panel Trunking

15 x 15, 25 x 25, 30 x 25,
45 x 25, 45 x 45, 45 x 60,
60 x 25, 60 x 45, 60 x 60



PRECISION[®]

Pipes | Desh ki Lifeline





CORRUGATED FLEXIBLE CONDUIT PIPES & FITTINGS

Precision Corrugated Flexible Conduit Pipes & Fittings

come in a wide and comprehensive range of material variants to suit a variety of applications.

These conduits are manufactured in variants based on the final application for wiring purposes.



POLYPROPYLENE FLEXIBLE CONDUITS are the best solution for applications where resistance to constant flexing and vibration is essential, these conduits display excellent flexibility. Moreover, they are light weight and easy to install which makes them very popular. Temperature resistant from -5°C to $+90^{\circ}\text{C}$.

STEEL WIRE REINFORCED FLEXIBLE UPVC CONDUITS are manufactured with soft polyvinyl chloride (uPVC) wall fused to high tensile steel wire in a coiled state. These conduits are unaffected by inorganic acid, alkali & saline water. Most suitable for electrical wiring in buildings, switch boards, panels, machinery, dust collectors, air dusting, exhaust of fumes, shrouds of railway coach wiring and hospital equipments. Temperature resistant from -5°C to $+60^{\circ}\text{C}$.

GALVANISED STEEL FLEXIBLE CONDUIT

Precision Steel Flexible Conduit Pipes are made from galvanised steel, helical wound strips having a square lock type construction and are manufactured in accordance to Indian/British Standards in galvanized zinc coating with spiral corrugated pattern finished surface. Mostly used as low pressure hose in Industrial domestic air conditioning, ventilation systems and as mechanical protection for insulated electrical cables & wires which may be exposed to atmospheric conditions.

GALVANISED STEEL FLEXIBLE CONDUIT WITH PVC COATING

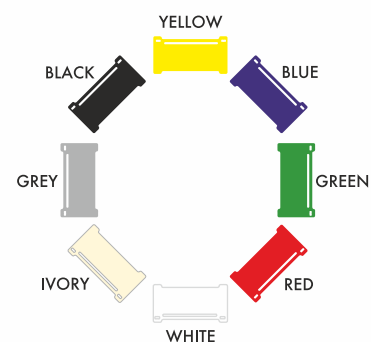
Precision PVC Coated Steel Flexible Conduit Pipes are made from galvanized steel, helical wound strips having a square lock type construction and are manufactured in accordance to Indian/British Standards in poly vinyl coating. They are available in black/grey colour with spiral corrugated pattern finished surface. Most suitable for mechanical protection of cable and wire in tunnels, hospitals, high-rise office blocks and public buildings.



Fire retardant



Corrosion Free



CORRUGATED FLEXIBLE CONDUIT PIPES & FITTINGS

HSN : 39173100



DIMENSIONS OF CORRUGATED FLEXIBLE CONDUITS

Nominal Diameter (mm)	Maximum Outside Diameter (mm)	Tolerance on Outside Diameter (mm)	Minimum Inside Diameter (mm)
10	10	- 0.1	7.0
16	16	- 0.3	10.7
20	20	- 0.3	14.1
25	25	- 0.4	18.3
32	32	- 0.4	24.3
40	40	- 0.4	31.2
50	50	- 0.5	39.6
63	63	- 0.6	52.6

(PP) POLY PROPYLENE



SR. NO.	PRODUCT CODE	SIZE	STANDARD PACK	
		OD (mm)	Mtr./Coil	Mtr./Bag
658	PCFC 10	10	100	1000
659	PCFC 16	16	50	500
660	PCFC 20	20	50	500
661	PCFC 25	25	25	250
662	PCFC 32	32	25	250
663	PCFC 40	40	20	100
664	PCFC 50	50	15	75
665	PCFC 63	63	10	50

DIMENSIONS OF GALVANIZED STEEL FLEXIBLE CONDUIT PIPES

Nominal Size (mm)	Nominal Size (inch)	OD (mm)	ID (mm)	BENDING radius/mm
16	1/2"	15.5	12.5	40
20	3/4"	22.5	19.5	55
25	1"	28	25.0	60
32	1 1/4"	35.0	32.0	70
40	1 1/2"	42.0	38.0	80
50	2	54.0	50.0	90

*Tolerance: Size below 50mm, +/- 1mm & above 50mm +/- 3mm



SR. NO.	PRODUCT CODE	SIZE	STANDARD PACK	
		OD (mm)	Mtr./Coil	Mtr./Bag
666	PCCL 10	10	100	1000
667	PCCL 16	16	50	500
668	PCCL 20	20	50	500
669	PCCL 25	25	25	250
670	PCCL 32	32	25	250
671	PCCL 40	40	20	100
672	PCCL 50	50	15	75
673	PCCL 63	63	10	50

DIMENSIONS OF GALVANIZED STEEL FLEXIBLE CONDUIT PIPES WITH PVC COATING

Nominal Size (mm)	Nominal Size (inch)	OD (mm)	ID (mm)	BENDING radius/mm
16	1/2"	16.5	12.5	40
20	3/4"	23.5	19.5	55
25	1"	29	25.0	60
32	1 1/4"	36.5	32.0	70
40	1 1/2"	44.0	38.0	80
50	2	57.0	51.0	90

*Tolerance: Size below 50mm, +/- 1mm & above 50mm +/- 3mm

CORRUGATED FLEXIBLE CONDUIT PIPES & FITTINGS

CORRUGATED FLEXIBLE CONDUIT PIPE FITTINGS



HSN : 39174000



SR. NO.	PRODUCT CODE	SIZE	STANDARD PACK	
		OD (mm)	Pc./Box	Pc./Carton
674	PFAG 16	16	125	2250
675	PFAG 20	20	75	1350
676	PFAG 25	25	50	900
677	PFAG 32	32	30	540
678	PFAG 40	40	20	360
679	PFAG 50	50	5	150

CORRUGATED FLEXIBLE CONDUIT GLAND

STEEL WIRE REINFORCED FLEXIBLE UPVC CONDUIT PIPE



HSN : 39172190



SR. NO.	PRODUCT CODE	SIZE	STANDARD PACK	
		ID (mm)	Mtr./Coil	Mtr./Bag
680	PCWR 10	10	30	300
681	PCWR 16	16	30	300
682	PCWR 20	20	30	240
683	PCWR 25	25	30	210
684	PCWR 30	30	30	150
685	PCWR 40	40	30	120
686	PCWR 50	50	30	90
687	PCWR 60	60	15	75

STEEL WIRE REINFORCED FLEXIBLE UPVC CONDUIT GLAND



HSN : 39174000



SR. NO.	PRODUCT CODE	SIZE	STANDARD PACK	
		OD (mm)	Pc./Box	Pc./Carton
688	PFRG 10	10	75	1350
689	PFRG 16	16	60	1080
690	PFRG 20	20	45	810
691	PFRG 25	25	30	540
692	PFRG 30	30	20	360
693	PFRG 40	40	15	270
694	PFRG 50	50	5	150



GALVANIZED STEEL FLEXIBLE CONDUIT PIPES

HSN : 83071000



SR. NO.	PRODUCT CODE	NORMAL SIZE (mm)	NORMAL SIZE (Inch)	STANDARD PACK	
				Mtr./Coil	Mtr./Bag
695	PGIFC 16	16	1/2"	15	210
696	PGIFC 20	20	3/4"	15	150
697	PGIFC 25	25	1"	15	105
698	PGIFC 32	32	1 1/4"	15	75
699	PGIFC 40	40	1 1/2"	15	75
700	PGIFC 50	50	2"	10	50

GALVANIZED STEEL FLEXIBLE CONDUIT WITH PVC COATING



HSN : 83071000



SR. NO.	PRODUCT CODE	NORMAL SIZE (mm)	NORMAL SIZE (Inch)	STANDARD PACK	
				Mtr./Coil	Mtr./Bag
701	PGIFCP 16	16	1/2"	50	250
702	PGIFCP20	20	3/4"	25	150
703	PGIFCP 25	25	1"	25	125
704	PGIFCP 32	32	1 1/4"	15	75
705	PGIFCP 40	40	1 1/2"	15	75
706	PGIFCP 50	50	2"	15	60



**SAFETY
MEIN
SAMJHOTA
NAHIN.**

MATERIAL DATA

Specific Gravity	:	1.40 - 1.46
Impact Resistance	:	High impact resistance. The material is formulated to comply with -5°C to +60°C to IS 9537-Part 3 and IS 14927-Part 2 Cable Trunking Standards.
Tensile Strength	:	450/565 kg/cm ²
Chemical Resistance	:	The material is virtually unaffected by inorganic acid, alkalis and salt.
Coefficient of linear Expansion	:	7x10/m/deg.C
Water Absorption	:	Negligible
Flammability	:	IS 9537-Part 3, IS 3419:1988, IS 14927-Part 2, BS 4607 and BS EN 61386-21
Vicat. Softening point (Pipe & Trunking)	:	80°C at 5 kg Load
Vicat. Softening point (Moulded Fittings)	:	76°C
Oxygen Index	:	40%
Electric Strength	:	To the requirement of IS 9537-Part 3, IS 3419:1988, IS 14927-Part 2, BS 4607 and BS EN 61386-21
Insulation Resistance	:	To the requirements of IS 9537-Part 3, IS 3419:1988, IS 14927-Part2, BS 4607 and BS EN 61386-21
Operating Temperature	:	-5°C to +60°C

STANDARDS

Conduit	:	IS 9537-Part 3, BS EN 61386-21
Conduit Fittings	:	IS 3419:1988 with latest amendment, BS 4607
Trunking	:	IS 14927-Part 2, BS EN 50085-2-1:2006

QUALITY CONFIRMATION



LOW VOLTAGE DIRECTIVE



Precision products that comes within the scope of Low Voltage Directive (LVC) 2006/95/EC, RoHS Directive 2002/95/EC will be CE marked on their product or packaging that they meet the necessary requirements of the directive.

CONDUIT AND TRUNKING

The following notes are intended to be a guide to the installation of Precision Conduit, Trunking and Fitting. To ensure safety in installation, commissioning and maintenance, work should be undertaken by competent personnel and in accordance with relevant codes of practice and statutory requirements. Information on installation can be found in:

- Regulations, Indian standards specifications and code of practice.
- Regulation for electrical equipment of buildings (IEE publication).

CONDUIT

Choice of Conduit

The choice depends on the type of work being undertaken and the specification, Heavy Mechanical Stress (HMS) and Medium Mechanical Stress (MMS) Round Conduits are normally used in casting in situ and surface work. Light Mechanical Stress (LMS) Conduit is suitable for concealed work in drops and in screeds & surface. Trunking Profile are generally used as a method of installing cables in domestic / commercial in surface work and installation beneath plaster.

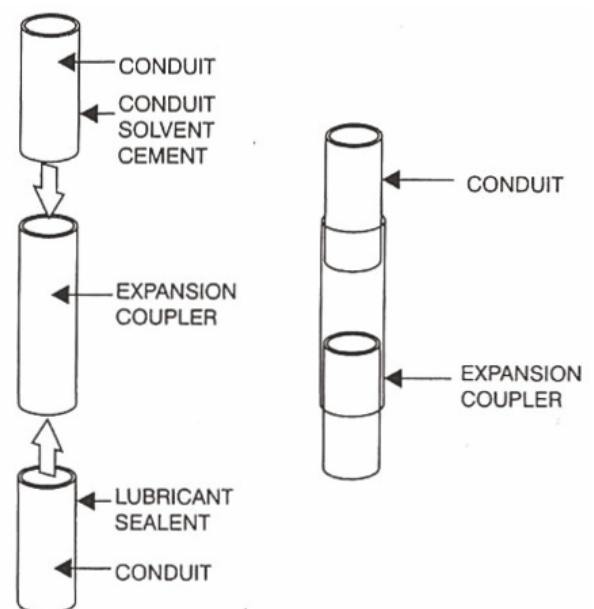
Surface Installation

All horizontal runs of conduit should be secured at a maximum distance of 0.9 meter and vertical runs should be secured at a maximum of 1.2 meter. For high ambient temperatures or where rapid changes in temperature are likely to be encountered the distance should be reduced. At fittings or where directional changes takes place the conduit should be fastened approximately 150 mm either side to maintain support. The fastening should not be over tightened to permit thermal movement of the conduit.

Joint and Couplers

To accommodate for thermal movement due to temperature change on surface installations, it is recommended that expansion couplers be used at a maximum distance of 6 meters intervals. Where high ambient temperature or frequent variation in temperature is likely to occur this distance should be reduced. Expansion couplers are installed with the short side coated with solvent cement and coupler pushed firmly over the conduit down to nib. The slip side coated with silicon grease receives the conduit to a midpoint to the nib. This will then permit for expansion or contraction providing the conduit is free to move in the saddle.

Conduit fittings are installed in the system using solvent cement for permanent installation and silicon grease where installation is subject to frequent changes.



Jointing

PVC solvent cement is the recommended method of joining conduit into fitting like couplings, adaptors, bends and boxes. Precision solvent cement is especially formulated for watertight permanent joint.

BONDING INSTRUCTIONS

Conduits and Fittings to be bonded must be clean, dry and free from oil moisture, dirt and grease.

- Cut the pipe, remove burr from the both inside and outside of the pipe with knife, file or reamer.
- Apply an even layer of cement to the pipe and fitting.
- Immediately push the pipe into the fitting together to the full depth without twisting. Hold in place for 30 seconds and clean off excess cement.

Bending

Bending of conduit up to 25 mm in diameter can be carried out using correct size and gauge of bending spring. It should be noted that Heavy gauge spring is plated gold colour for heavy conduit. Medium gauge spring is plated silver colour for medium conduit and Light gauge spring is plated black colour for light conduit. Make sure they are not damaged in any way, as this can cause the conduit to kink and fracture making removal of spring difficult.

Cold Bending

To bend the conduit, insert the spring to the desired position, grip the conduit on either side of the bend and bring slowly together to form the bend. The bend should be made more acute than necessary because of tendency of the PVC to recover after bending. Pull the spring gently. Do not pull too hard otherwise damage to the spring may occur. The conduit should then be fastened into position to prevent further recovering.

Hot Bending

For conduit sizes over 25 mm diameter, hot bending is required, with the same procedure as cold bending; but with the application of gentle heat just prior to bending with care being taken to avoid the direct application of flame to the conduit. When the conduit is in pliable state, slowly bend around a suitable former, holding the position for about one minute until set.

If the conduit is bent too fast or, particularly in the case of light conduit, there is a risk of damage to both the conduit and spring. Similarly once the bend has been made it should not be forced backwards, but be allowed to recover naturally.

Earthing

The properties of PVC make it an all insulated system and the use of separate earth cable is essential which greatly reduces the risk of poor earth continuity that can result from any breakdown of joint, which may occur in a steel system.

DIMENSIONS OF ROUND CONDUIT uPVC PIPES IS 9537-PART 3

Nominal Size (mm)	Outside Diameter (mm)	Tolerance on Outside Diameter (mm)	Inside Diameter (Min.) (mm)		
			Light	Medium	Heavy
20	20	-0.3	17.4	16.9	15.8
25	25	-0.4	22.1	21.4	20.6
32	32	-0.4	28.6	27.8	26.6
40	40	-0.4	35.8	35.4	34.4
50	50	-0.5	45.1	44.3	43.2
63	63	-0.6	57.0	-	-
#SPECIAL SIZES					
19	19	-0.3	16.5	16.0	15.1

DIMENSIONS OF G.I. & M.S. CONDUIT PIPES

NORMAL SIZE	OUTSIDE DIAMETER	TOLERANCE OD	WALL THICKNESS	WALL THICKNESS TOLERANCE
MM	MM	MM	MM	MM
20	20	0, -0.3	1.60	±0.2
25	25	0, -0.4	1.60	±0.2
32	32	0, -0.4	1.60	±0.2
40	40	0, -0.4	2.00	+0.2, -0.4
50	50	0, -0.5	2.00	+0.2, -0.4

DIMENSIONS OF CORRUGATED FLEXIBLE CONDUITS

Nominal Diameter (mm)	Maximum Outside Diameter (mm)	Tolerance on Outside Diameter (mm)	Minimum Inside Diameter (mm)
10	10	-0.1	7.0
16	16	-0.3	10.7
20	20	-0.3	14.1
25	25	-0.4	18.3
32	32	-0.4	24.3
40	40	-0.4	31.2
50	50	-0.5	39.6
63	63	-0.6	52.6

DIMENSIONS OF GALVANIZED STEEL FLEXIBLE CONDUIT PIPES

Nominal Size (mm)	Nominal Size (inch)	OD (mm)	ID (mm)	BENDING radius/mm
16	1/2"	15.5	12.5	40
20	3/4"	22.5	19.5	55
25	1"	28	25.0	60
32	1 1/4"	35.0	32.0	70
40	1 1/2"	42.0	38.0	80
50	2	54.0	50.0	90

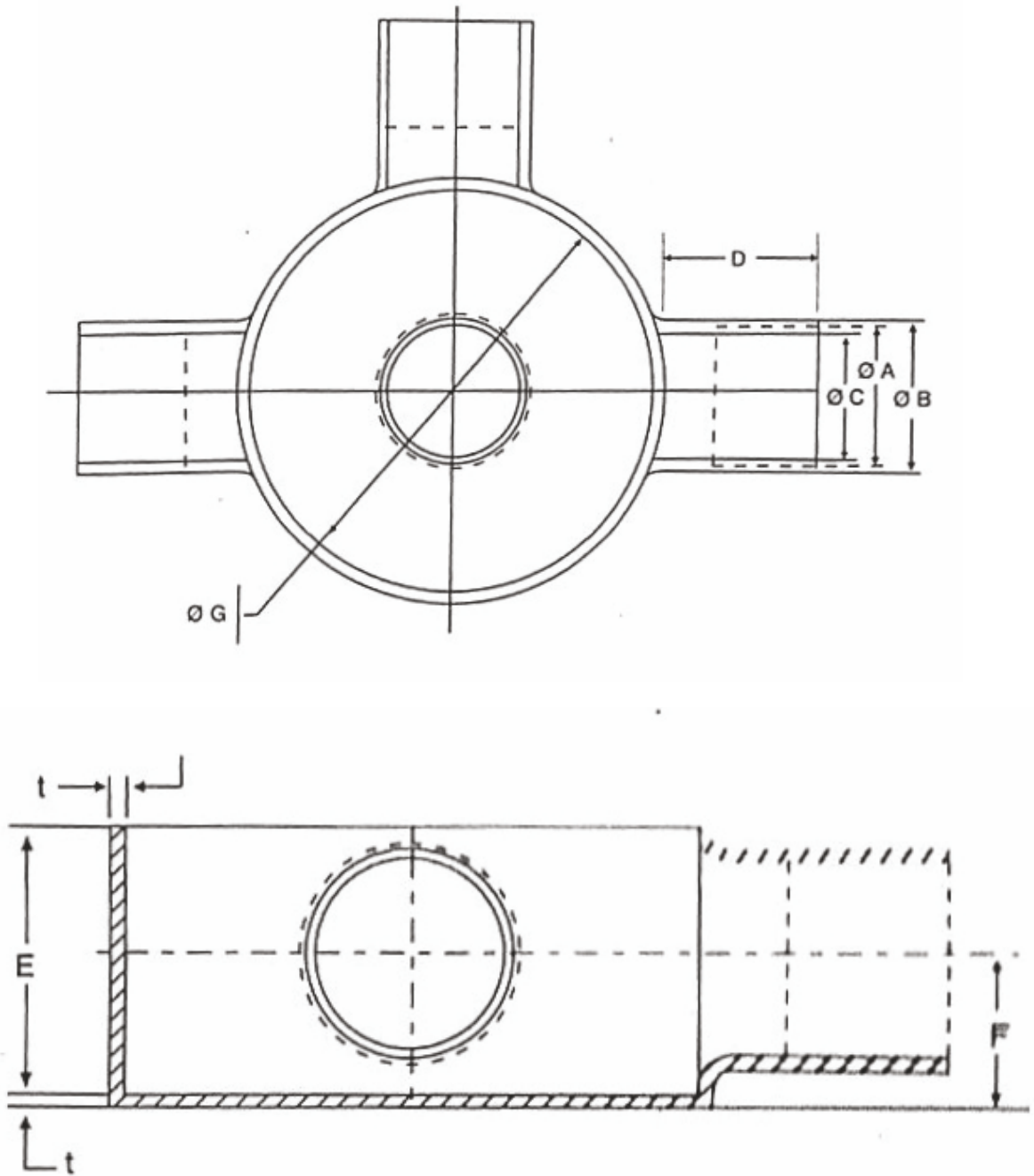
*Tolerance: Size below 50mm, +/- 1mm & above 50mm +/- 3mm

DIMENSIONS OF GALVANIZED STEEL FLEXIBLE CONDUIT PIPES WITH PVC COATING

Nominal Size (mm)	Nominal Size (inch)	OD (mm)	ID (mm)	BENDING radius/mm
16	1/2"	16.5	12.5	40
20	3/4"	23.5	19.5	55
25	1"	29	25.0	60
32	1 1/4"	36.5	32.0	70
40	1 1/2"	44.0	38.0	80
50	2	57.0	51.0	90

*Tolerance: Size below 50mm, +/- 1mm & above 50mm +/- 3mm

SPOUT TYPE - CIRCULAR JUNCTION BOXES
IS 3419:1988



NOMINAL OUTSIDE DIAMETER OF CONDUIT

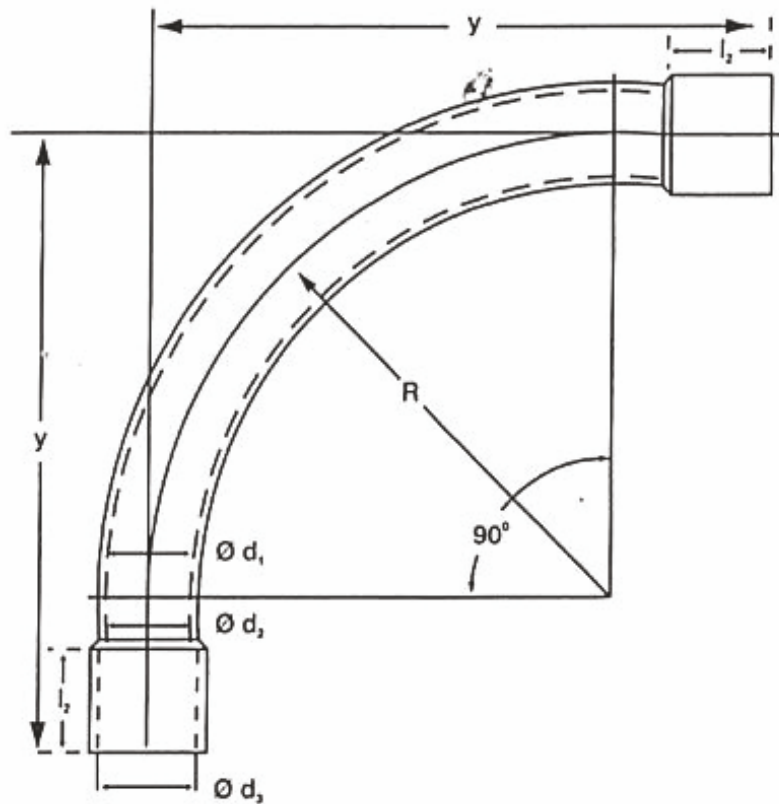
A	B MIN	C	D MIN	E MIN	F MAX	F MIN	G	T MIN
(1)	(2)	(3)	(4)	(5)	(6)	(7)	(8)	(9)
20	23.0	17.00 + 0.25	20.0	25	14.5	13.5	60 + 1.5	1.6
25	29.5	22.75 + 0.25	23.0	28	17.5	16.5	60 + 1.5	1.6

**DEEP CIRCULAR JUNCTION BOX
NOMINAL OUTSIDE DIAMETER OF CONDUIT**

A	B MIN	C	D MIN	E MIN	F MAX	F MIN	G	T MIN
(1)	(2)	(3)	(4)	(5)	(6)	(7)	(8)	(9)
20	23.0	17.00 + 0.25	20.0	62.60 + 0.2	14.5	13.5	60 + 1.5	1.6
25	29.5	22.75 + 0.25	23.0	62.60 + 0.2	17.5	16.5	60 + 1.5	1.6
32	35.5	29.5 + 0.5	24.0	62.60 + 0.2	19.5	18.5	60 + 1.5	1.6

SLIP TYPE COUPLING BENDS

All dimensions in millimeters.



Nominal Size	Outside Diameter of Bend d1	Minimum Inside Diameter of Bend d2	Inside Diameter of Collar d3	R	Y	L
(1)	(2)	(3)	(4)	(5)	(6)	(7)
20	20 - 0.3	16.9	20.1 + 0.2	65	115	35
25	25 - 0.3	21.3	25.1 + 0.3	90	160	35
32	32 - 0.3	27.9	32.1 + 0.3	125	215	45
40	40 - 0.3	35.5	40.1 + 0.4	160	260	45
50	50 - 0.3	44.7	50.1 + 0.4	210	310	55

MINI/MAXI TRUNKING PROFILE

Precision Trunking Profile system is designed to give improved appearance and security to surface cables with its wide range of Trunking sizes and fittings offers an efficient and economical solution to cable management. Trunking Profile consists of base and clip on lid which is fitted to the base by pressing it along its front face. The lid can be easily removed by lifting it from the base at one end and peeling it away. The lid has an easy closing mechanism, which is designed to give a securely closed installation, yet is easily accessible for maintenance or modification.

Mounting

Drill oversize holes on base of Trunking Profile to mechanically fix to the desired surface using flat head screws with washers. Fixing center should not be more than 400 mm apart, or more than 150 mm away from the end of the straight run.

Joints

At each joint 3 mm should be left for expansion. A fine toothed tension saw and mitre block should be used to cut the Trunking to provide a neat installation. Internal bends must be mitred to ensure total enclosure of Trunking Profile. External bends should be cut square with the corner and at angles and tees, cut the side wall of Trunking Profile for the cable entry. None of the cutting is critical as the clip on fittings have a built-in overlap for the lid and sidewalls.

CONDUIT AND TRUNKING CABLE CAPACITIES

Single-core PVC - insulated cables in straight runs of conduit not exceeding 3 meters in length.

For each cable it is intended to use, obtain the appropriate factor from Table 1 A.

Add all the cable factors so obtained and compare with the conduit factors given in Table 1 B.

The conduit size which will satisfactorily accommodate the cables in that size having a factor equal to or exceeding the sum of the cable factors.

Single-core PVC - Insulated cables In straight runs of conduit exceeding 3 meters in length, or in runs of any length incorporating bends or sets.

For each cable it is intended to use, obtain the appropriate factor from Table 1 C.

Add all the cable factors so obtained and compare with the conduit factors given in Table 1 D, taking into account the length of the run it is intended to use and the number of bends and sets in that run.

The Conduit size which will satisfactorily accommodate the cables is that size having a factor equal to or exceeding the sum of the cable factors.

TABLE 1A
Cable factors for short straight runs

Type of Conductor	Conductor cross sectional area (mm)	Factor
Soild	1.0	22
	1.5	27
	2.5	39
Stranded	1.5	31
	2.5	43
	4.0	58
	6.0	88
	10.0	146

TABLE 1B
Conduit factors for short straight runs

Conduit Dia (mm)	Factor
20	460
25	800
32	1400

TABLE 1C
Cable factors for short straight runs
or runs incorporative bends

Type of Conductor	Conductor cross sectional area (mm)	Factor
Soild or Stranded	1.0	16
	1.5	22
	2.5	30
	4.0	43
	6.0	58
	10.0	105

TABLE 1D
Conduit factors for runs incorporating bends

Length of run (mtr)	20	25	32	20	25	32	20	25	32	20	25	32	20	25	32
	Straight			One bend			Two bends			Three bends			Four bends		
1.0	Covered by Tables 1A and 1B			303	543	947	286	514	900	256	463	818	213	388	692
1.5				294	528	923	270	487	857	233	422	750	182	333	600
2.0				286	514	900	126	463	818	213	388	692	159	292	529
2.5				278	500	878	244	442	783	196	358	643	141	260	474
3.0				270	487	857	233	422	750	182	333	600	-	-	-
3.5	290	521	911	263	475	837	222	404	720	163	311	563	-	-	-
4.0	286	514	900	256	463	818	213	388	692	159	292	529	-	-	-
4.5	282	507	889	250	452	800	204	373	667	149	260	474	-	-	-
5.0	278	500	878	244	442	783	196	358	643	141	260	474	-	-	-
6.0	270	487	857	233	422	750	182	333	600	-	-	-	-	-	-
7.0	263	475	837	222	404	720	169	311	563	-	-	-	-	-	-
8.0	256	463	818	213	388	692	159	292	529	-	-	-	-	-	-
9.0	250	452	800	204	373	667	149	275	500	-	-	-	-	-	-
10.0	244	442	783	196	358	643	141	260	474	-	-	-	-	-	-

The content of all the technical information are for guidance only, if you have any query as to the interpretation of the information contained therein, please refer to the standard itself or contact Precision Plastic Industries Pvt.Ltd. In accordance with our policy of continual improvement, Precision Plastic Industries Pvt.Ltd. reserve the right to change specifications & designs without notice.



electrical@precisionpipes.com
www.precisionpipes.com

We Care +91 77150 00015

PRECISION PLASTIC INDUSTRIES PVT. LTD.

19/D, Nand Jyot Industrial Estate, Safed Pool, Andheri - Kurla Road,
Andheri East, Mumbai 400 072, Maharashtra, India.